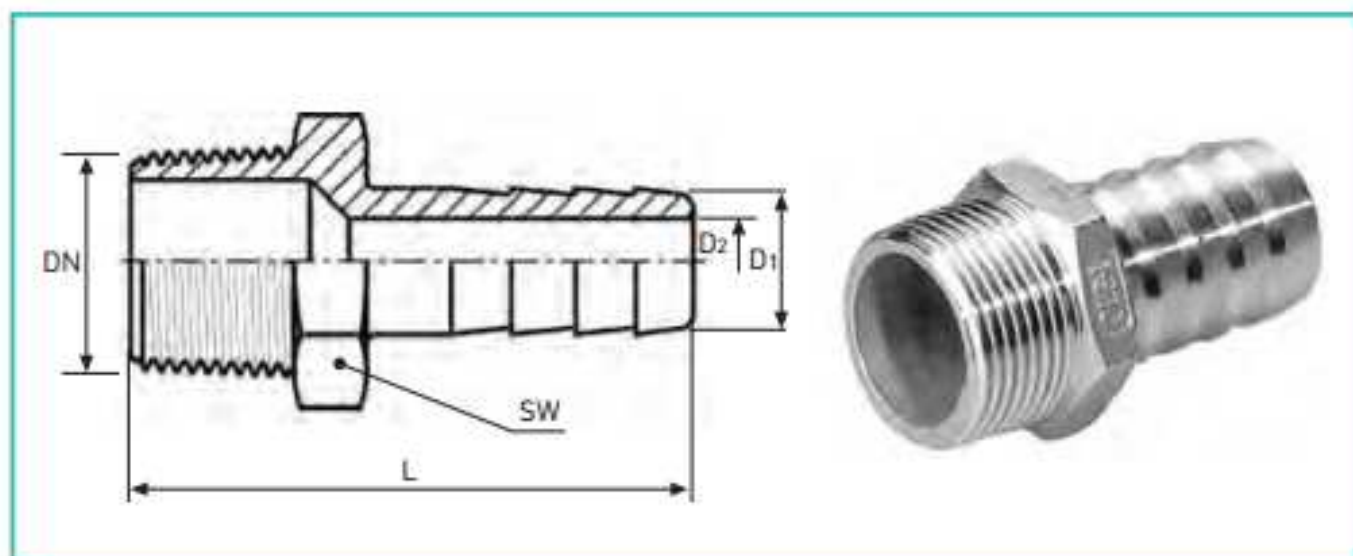


Entronque Manguera Fig. 537.2 INOX-316

Rosca BSP conforme EN 10226-1 (ISO 7/1)
 Acero Inoxidable 1.4408 /A-316 150 PSI



DN	D1 mm	D2 mm	L mm	SW mm	Bolsa unidades	Peso kg/u.
1/8"	7,20	3,0	45,0	12,5	10	0,02
1/4"	9,10	5,5	47,0	16,5	10	0,03
3/8"	9,50	8,0	55,0	20,0	10	0,06
3/8"	13,00	8,0	55,0	20,0	10	0,06
1/2"	15,20	11,0	64,0	23,5	10	0,07
1/2"	19,00	11,0	64,0	23,5	10	0,09
3/4"	20,10	17,5	68,0	31,0	10	0,14
3/4"	25,00	17,5	68,0	31,0	10	0,15
1"	25,40	18,0	71,0	38,5	10	0,20
1"	27,00	18,0	71,0	38,5	10	0,20
1.1/4"	33,00	25,5	80,0	46,0	5	0,37
1.1/2"	39,10	31,5	95,0	52,0	5	0,55
2"	51,10	43,0	105,0	62,0	5	0,81