

MIRILLA DE CONTROL Fig.457 PN-16

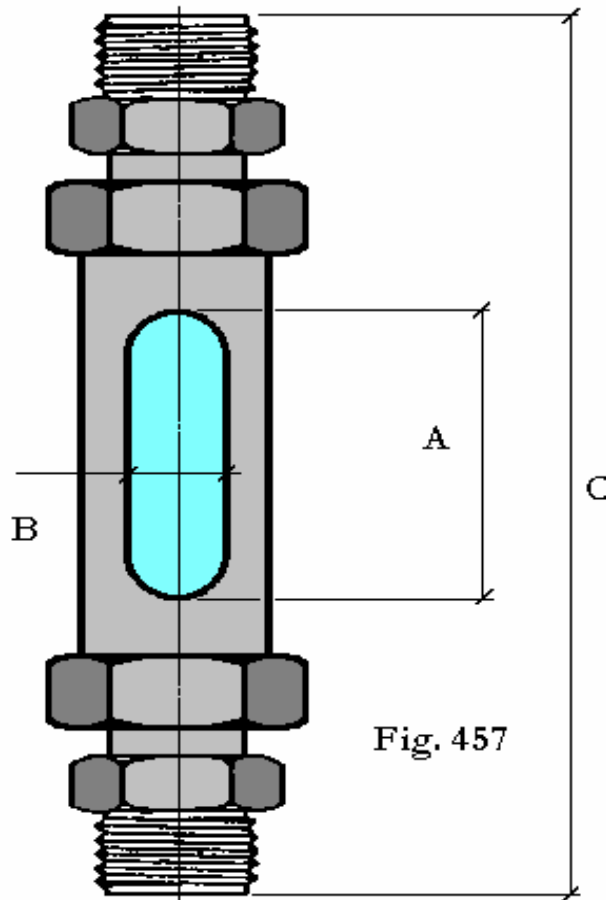


Fig. 457

Cuerpo: *Bronce Rg-5*
Machones Unión : *Bronce Rg-5 (1/2" en latón)*
Cristal: *Pyrex (Opcional: Duran, Metacrilato,...)*
Juntas: *Vitón (Opcional en: PTFE,NBR,Klingersil,...)*
Acabado: *Niquelado*

| Roscas Macho Gas B.S.P. | 1/2" | 3/4" | 1" | 1"¼ | 1"½ | 2" |
|----------------------------|------|------|-----|-----|-----|-----|
| A | 42 | 55 | 74 | | 95 | 123 |
| B | 12,5 | 16 | 23 | | 30 | 35 |
| C | 128 | 154 | 176 | | 235 | 291 |
| Cristal PYREX | | | | | | |
| Largo | 64 | 80 | 87 | | 125 | 155 |
| Ø Exterior | 16 | 22 | 28 | | 42 | 54 |
| Ø Interior | 10,5 | 17 | 23 | | 35 | 46 |